

# SupIR 60-1200mm f/4, Motorized Continuous Zoom 680475 / 680476



**HD**  
FORMAT

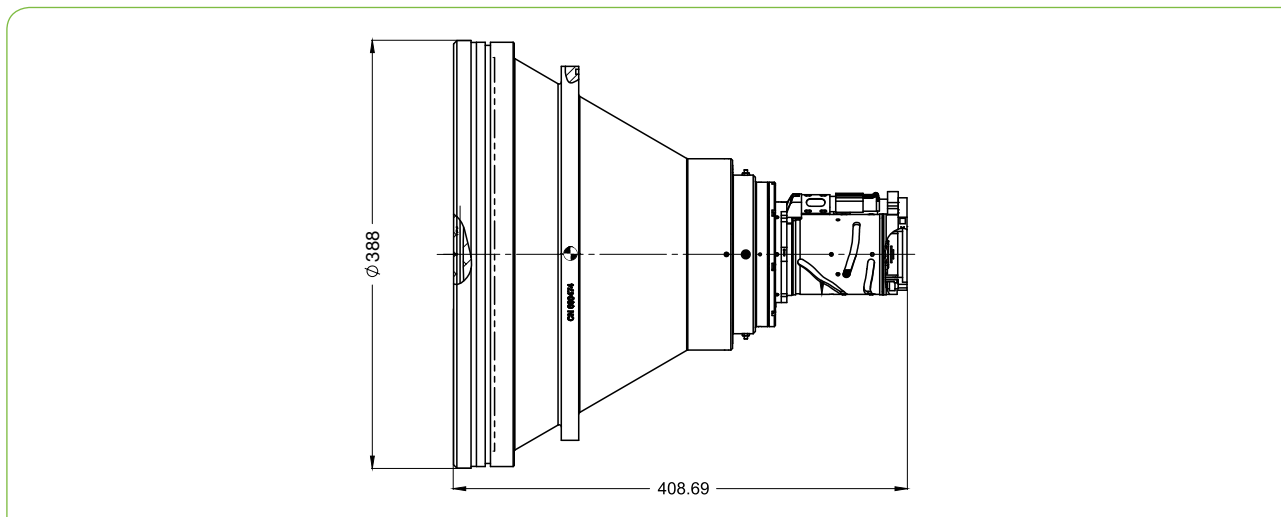
## WFOV

HFOV	640x512	1280x720	1280x1024
	60mm	87mm	100mm
15μ	8.6°		
10μ		7.6°	6.8°

## NFOV (1200mm)

HFOV	640x512	1280x720	1280x1024
15μ	0.5°		
10μ		0.6°	0.6°

Property	Value	
	WFOV	NFOV
<b>Optical</b>		
Focal Length	60mm	1200mm
F#	4	
Average transmission (3.4-5.0μm)	≥ 70% (LRHC)	
Cold stop to FPA Distance	19.4mm (680475) / 20.5mm (680476)	
Cold Stop CA	4.85mm (680475) / 5.125mm (680476)	
Back Focal Length	23.3mm in air (680475) / 26.2mm in air (680476)	
Minimum Focusing Range	<5m	<200m
Nuc (by defocus)	Yes	
<b>Mechanical</b>		
Focus Mechanism	Motorized	
Focus Time (minimum range to ∞)	≤1 sec.	
Zoom mechanism	Motorized	
Zoom Time (NFOV to WFOV)	≤5 sec. at -32°C; ≤4 sec. at T≥20°C (at max speed)	
Max. Dimensions	Ø388mm x 409.2mm	
Weight	14.6kg	
<b>Electrical</b>		
Lens Control	Designated lens controller	
Drive Voltage	12V	
Current Consumption	0.5A average, 1.0A peak at T= -32°C; 0.2A average, 1.0A peak at T≥ 20°C	



MWIR | ZOOM

Property		Value			
<b>Electrical</b>					
Communication Protocol		RS422			
<b>Environmental</b>					
Operation Temperature		-32°C to +75°C			
Storage Temperature		-54°C to +85°C			
Sealing		IP67 front element only			
Configurations	Description	FPA	Pixel Pitch	CSH	Coating
680475-001	60-1200mm	640x512	15µ	19.4mm	HD
680475-002					LRHC**
680475-003	100-1200mm	1280x1024	10µ		HD
680475-004					LRHC**
680475-005					HC Hydrophobic
680475-006					HD Hydrophobic
680476-001	60-1200mm	640x512	15µ	20.5mm	HD
680476-002					LRHC**
680476-003	87-1200mm	1280x720	10µ		HD
680476-004					LRHC**
680476-005					HC Hydrophobic
680476-006					HD Hydrophobic

\* NOTE: The ICD drawing provided here is primarily a representation and may not accurately reflect the product's actual dimensions and specifications. For precise integration specifications contact your local sales representative.

\*\* For detailed LRHC coating specifications see page 13