

SupIR 15-75mm f/1.2, Motorized Continuous Zoom 680582



WFOV(15mm)

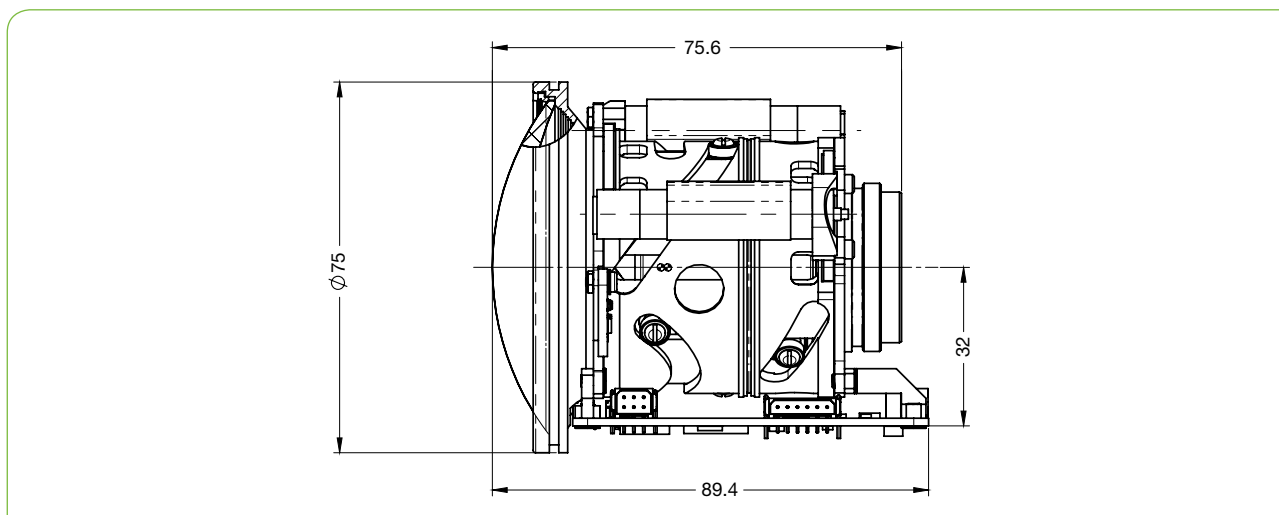
HFOV	320x240	640x480
17μ	20.9°	43.4°
12μ	14.7°	29.9°
10μ		24.8°

NFOV(75mm)

HFOV	320x240	640x480
17μ	4.1°	8.2°
12μ	2.9°	5.8°
10μ		4.9°

LWIR | ZOOM

Property	Value	
Optical	WFOV	NFOV
Focal Length	15mm	75mm
F#	1.2	
Average transmission (8-12μm)	91% (HD) / 86% (HC)	
Minimum Focus Range	7m	18m
Nuc (by defocus)	Yes	
Mechanical		
Focus Mechanism	Motorized	
Focus Time (minimum range to ∞)	≤1 sec.	
Zoom Mechanism	Motorized	
Zoom Time (NFOV to WFOV)	≤5.5 sec.	
Weight	349gr	
Max. Dimensions	Ø75mm x 75.6mm	
Electrical		
Lens Control	Designated lens controller	
Supply Voltage	12V	



Property	Value	
Electrical		
Current Consumption	<0.15A average, 0.3A peak	
Communication Protocol	RS485, RS422, RS232	
Environmental		
Operation Temperature	-32°C to +70°C	
Storage Temperature	-40°C to +80°C	
Sealing	IP 67 front element only	
Configurations		
680582-001	HD	
680582-002	HC	
680582-003	HD Hydrophobic	
680582-004	HC Hydrophobic	
Accessories		
Detector	Adaptor type	Kit catalog number
12µm 640x512	Threaded M34x0.5-6h	808458-201
	Fixed spacer	808459-201

* The ICD drawing provided here is primarily a representation and may not accurately reflect the product's actual dimensions and specifications. For precise integration specifications contact your local sales representative.

** Adapters for different cameras are available upon request