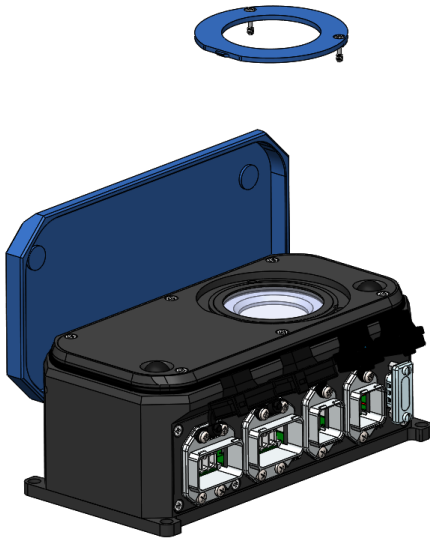


## Instructions for Replacement of Helios Pro Window

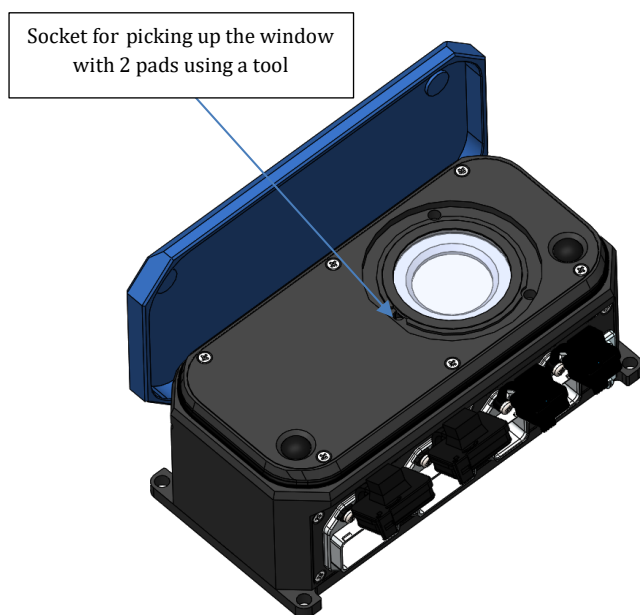
Window Replacement Kit (P/N 7Z08447) for Helios Pro sensors

### Helios Pro

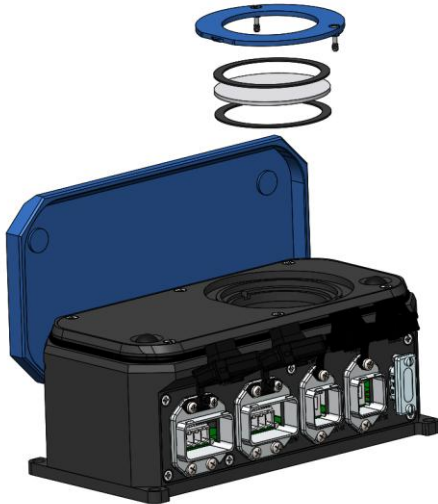
Using a 1.5mm Allen key, unscrew the two screws fastening the window holder and remove the window holder.



Insert the 1.5mm Allen key (or another tool) into the socket below the window with 2 pads and pick up the window from the groove.



Remove the upper flexible pad, the window and the lower flexible pad.



Take the new window and the 2 new pads out of the kit. Assemble the new lower flexible pad into the groove, then the new window on top of it, then the new upper flexible pad. Assemble the window holder to its place and screw back the 2 screws of the window holder.

**Please note:**

- The window replacement can be performed by the customer.
- There is no need for recalibration after replacing the window.

sp1 Helios Pro window replacement kit (7Z08447) Rev2 29 Mar 2026  
For latest version, please visit our website: [www.ophiropt.com](http://www.ophiropt.com)